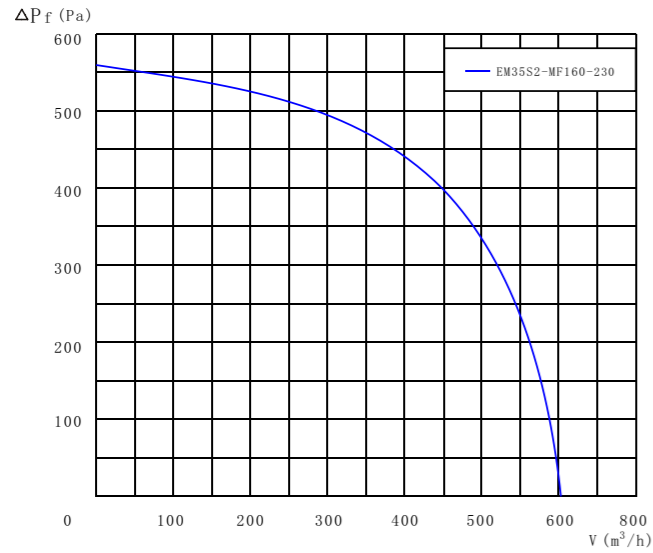
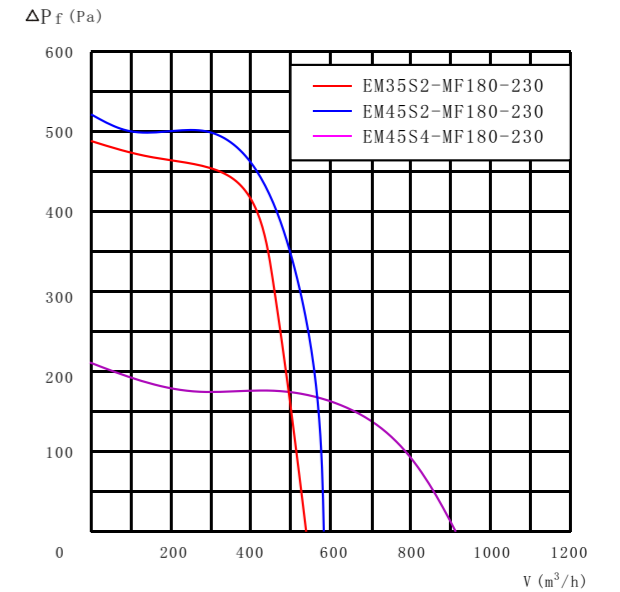




160 前倾式离心风机系列 Forward curved impeller \varnothing 160 AC centrifugal fans

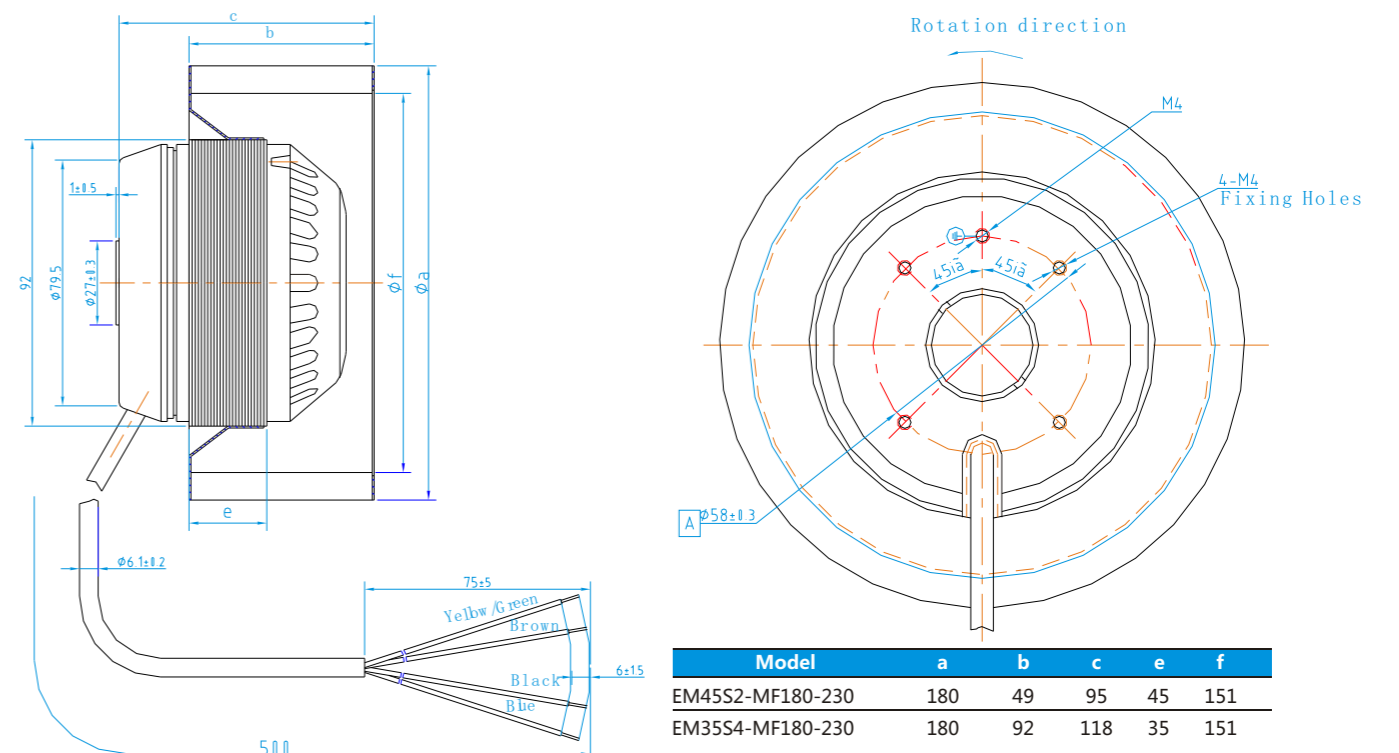
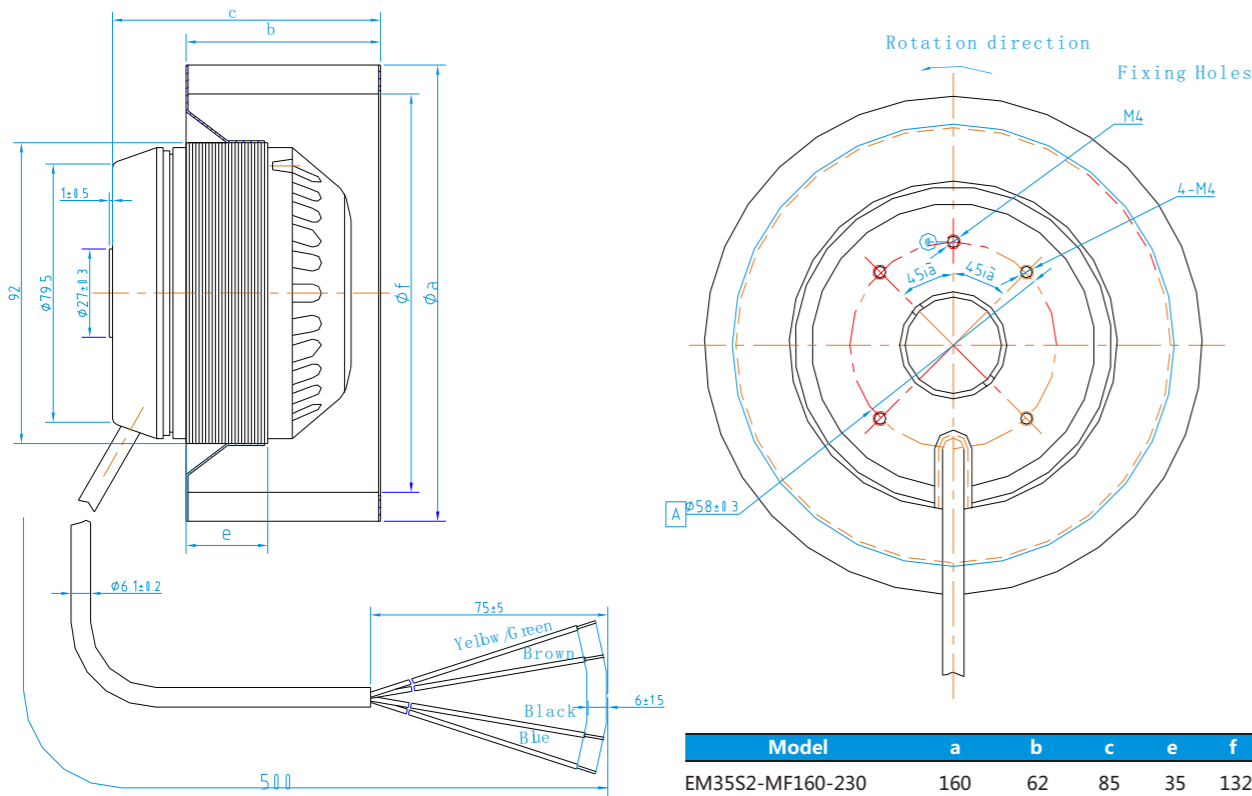


180 前倾式离心风机系列 Forward curved impeller \varnothing 180 AC centrifugal fans



Model	Impeller Model mm	Voltage/Frequency V/Hz	Input Power W	Current A	Speed Rpm	Capacitor μ F/VDB	Operation Temp $^{\circ}$ C
EM35S2-MF160-230	160X62	230/50	150	0.68	2400	4/450	-20 ~ +60

Model	Impeller Model mm	Voltage/Frequency V/Hz	Input Power W	Current A	Speed Rpm	Capacitor μ F/VDB	Operation Temp $^{\circ}$ C
EM35S2-MF180-230	180X49	230/50	160	0.79	2300	4/450	-20 ~ +60
EM45S2-MF180-230	180X49	230/50	200	0.90	2400	6/450	-20 ~ +60
EM35S4-MF180-230	180X92	230/50	80	0.40	1300	3/450	-20 ~ +60



天伦华诺公司保留进行更改的权利，无须另行通知。
ERM company reserves the right to change specifications without notice