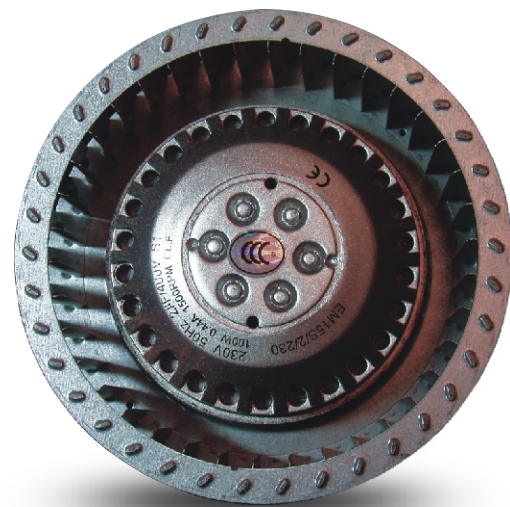
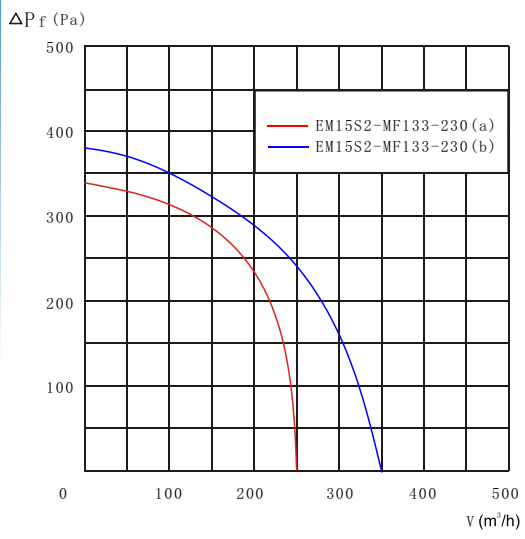
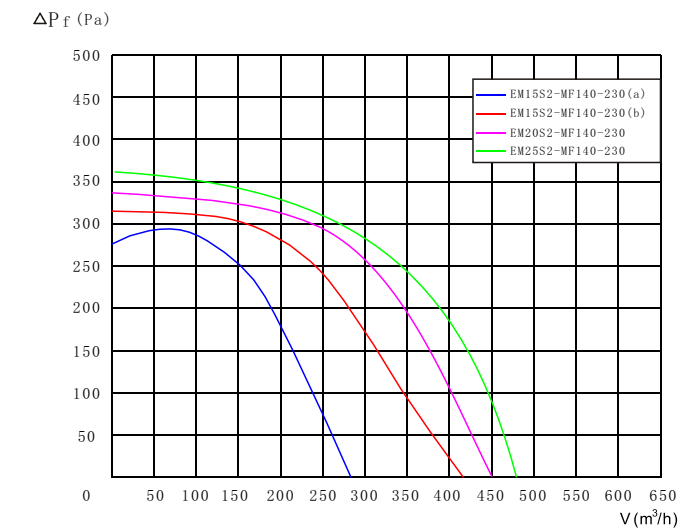




133 前倾式离心风机系列 Forward curved impeller \varnothing 133 AC centrifugal fans

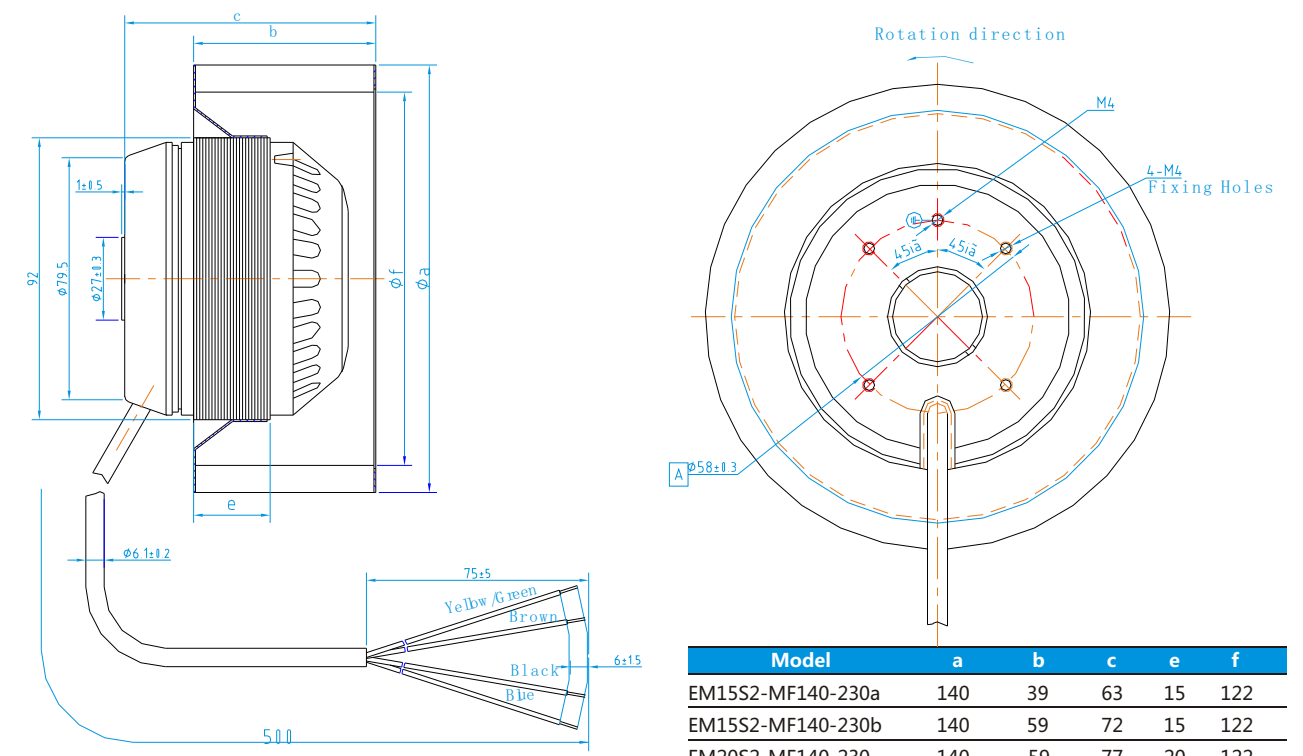
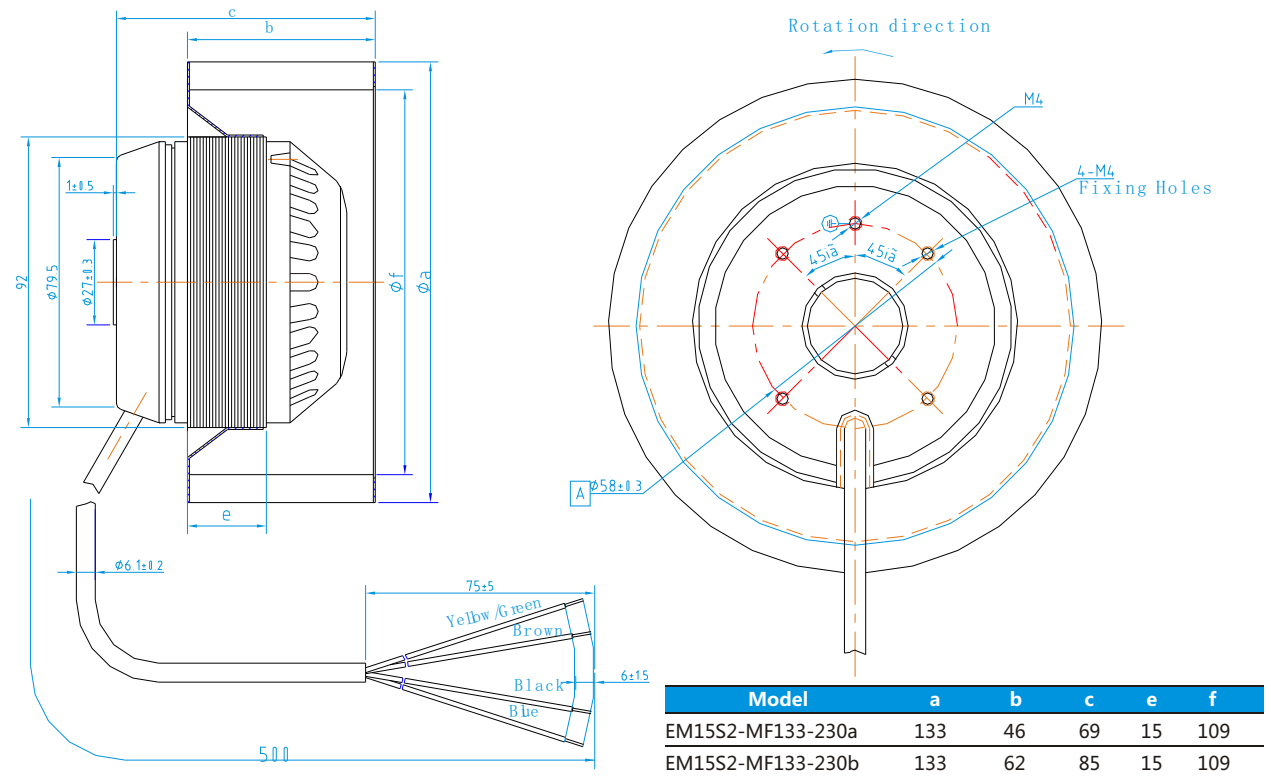


140 前倾式离心风机系列 Forward curved impeller \varnothing 140 AC centrifugal fans



Model	Impeller Model mm	Voltage/Frequency V/Hz	Input Power W	Current A	Speed Rpm	Capacitor μ F/VDB	Operation Temp $^{\circ}$ C
EM15S2-MF133-230a	133X46	230/50	60	0.30	2500	2/450	-20 ~ +60
EM15S2-MF133-230b	133X62	230/50	65	0.40	2500	2/450	-20 ~ +60

Model	Impeller Model mm	Voltage/Frequency V/Hz	Input Power W	Current A	Speed Rpm	Capacitor μ F/VDB	Operation Temp $^{\circ}$ C
EM15S2-MF140-230a	140X39	230/50	65	0.30	2500	2/450	-20 ~ +60
EM15S2-MF140-230b	140X59	230/50	80	0.35	2380	2/450	-20 ~ +60
EM20S2-MF140-230	140X59	230/50	90	0.40	2550	3/450	-20 ~ +60
EM25S2-MF140-230	140X59	230/50	120	0.60	2530	4/450	-20 ~ +60



天伦华诺公司保留进行更改的权利，无须另行通知。
ERM company reserves the right to change specifications without notice